



logicdesign.ld@gmail.com

One Point Solution from Design to Manufacturing.

GST No : 33JNJPS9997D1Z1

ABOUT US

Logic Design Solution is a startup founded by two Mechanical Engineers with expertise in supply chain packaging design and custom machinery. We specialize in creating innovative solutions that optimize packaging, improve efficiency, and design specialized machines tailored to your business needs. Our mission is to provide smarter, cost-effective solutions that drive operational success.



OUR ROADMAP



Design Freelancing

Started as an independent
freelance service provider.



GST/MSME Registered

Transition from freelancing to a
structured business



**Manufacturing
Service**



Expansion

Expanding more than
10,000 Sq.Ft based on client
needs



To empower brands through innovative design solutions that inspire, engage, and connect with audiences. We believe in the power of creativity to transform ideas into meaningful experiences, making design both functional and beautiful.



To be a leading force in shaping the future of design by fostering innovation, sustainability, and collaboration. We aim to create designs that not only drive business success but also make a lasting impact on culture and the environment.

OUR SERVICES



Packaging Service



Design Service



Special Purpose Machine

PACKAGING SERVICE

PLASTIC SOLUTIONS



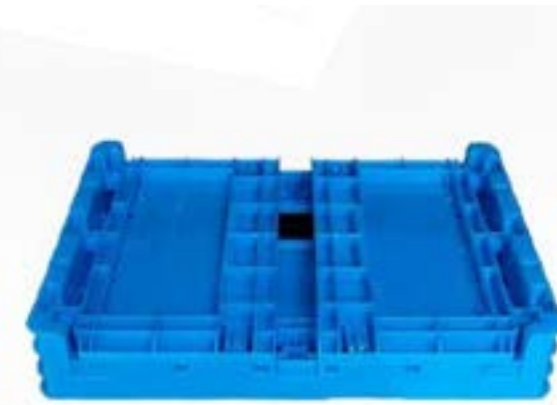
Veg - Rigid Crate



Automobile - Rigid Crate



Foldable Crate



Rigid Crate with Poly Cover



Rigid Crate with Lid



Pallet Sleeve Box



Foldable Large Container



Pallet Collar

PLASTIC SOLUTIONS



FLC



FSC



PP - Box



PP - Dunnage



PET - Tray



HDPE - Dunnage



VF - Tray



METAL SOLUTIONS



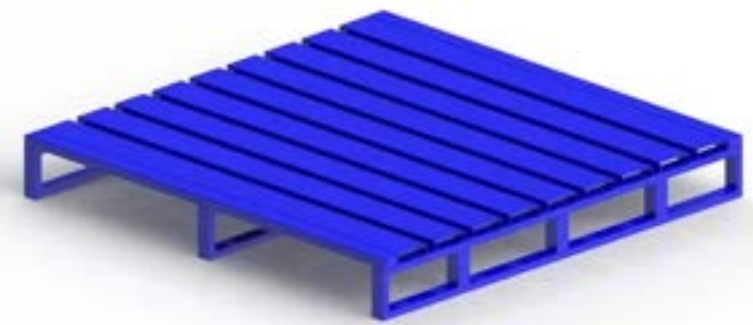
ESR



RSR



Foldable Bin



Metal Pallet



Customized Metal Bin



Trolley



WOOD & CORRUGATED SOLUTIONS



Wooden Box



Wooden Pallet



Wooden Collar



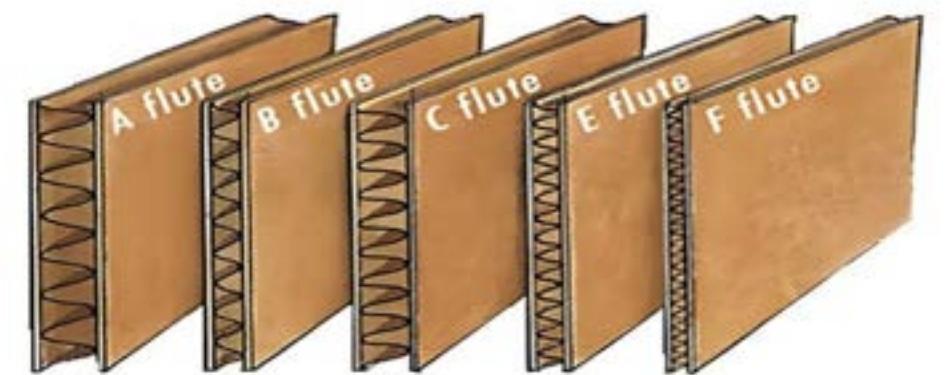
Export Heavy Duty Corrugated Box



Corrugated Box



Wooden Pallet With Metal Sleeve



CONSUMABLES SOLUTIONS



Stretch Film



BOPP Tape



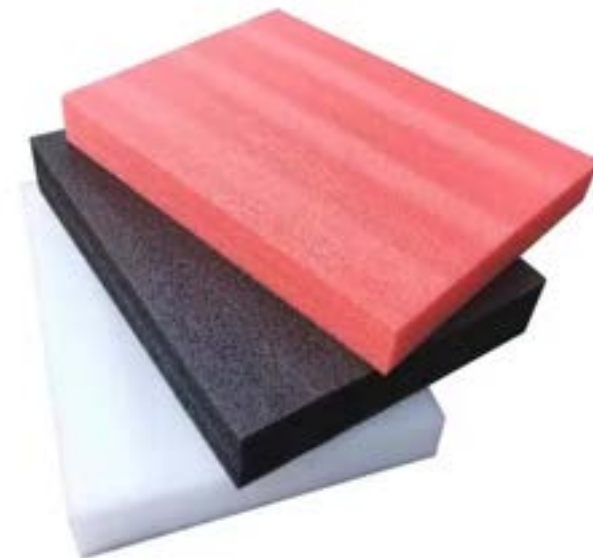
Pet Strap



VCI Cover



XLPE - Foam



EPE - Foam

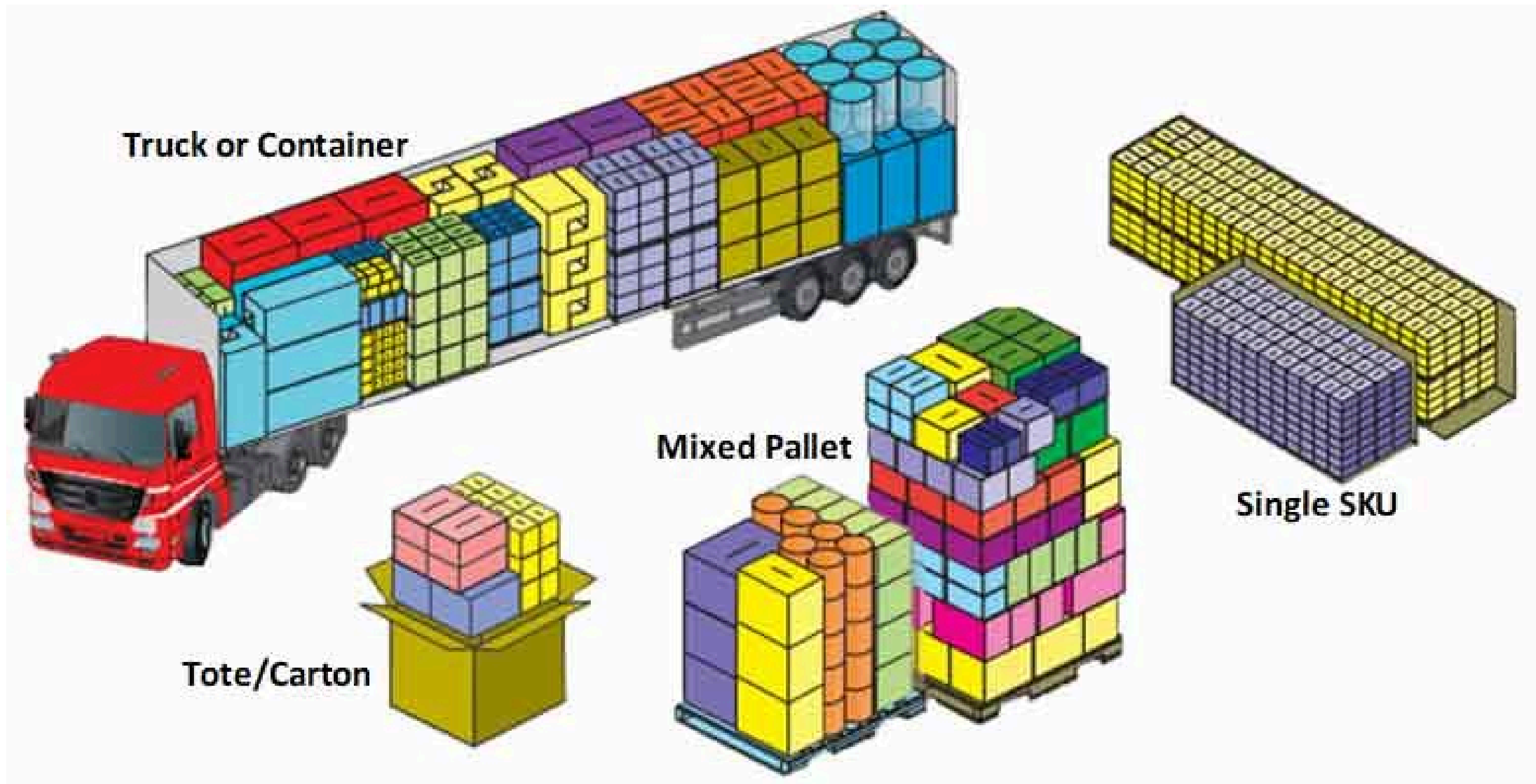


PU - Foam



3D VCI - Bag

CONTAINER VANNING

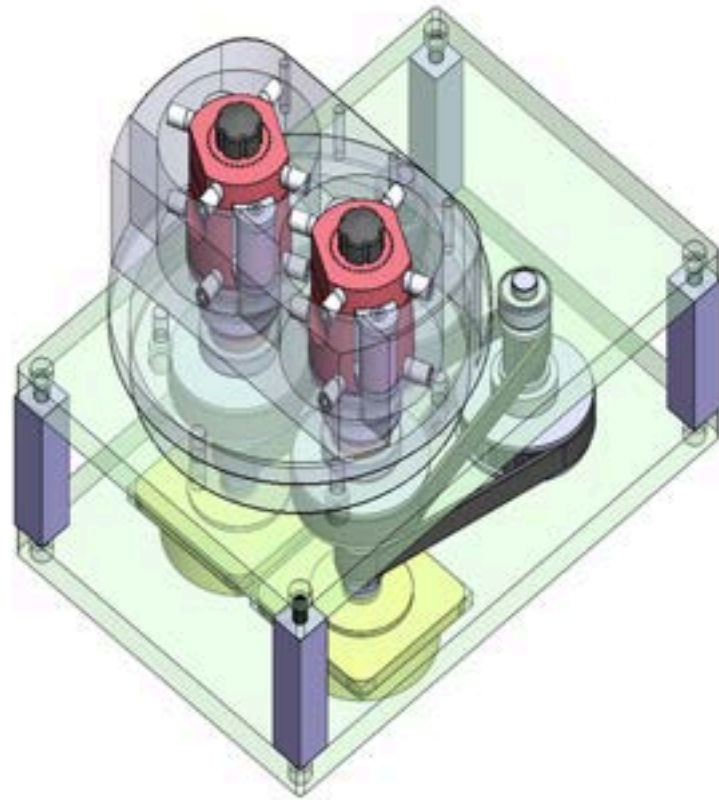


MATERIAL HANDLING



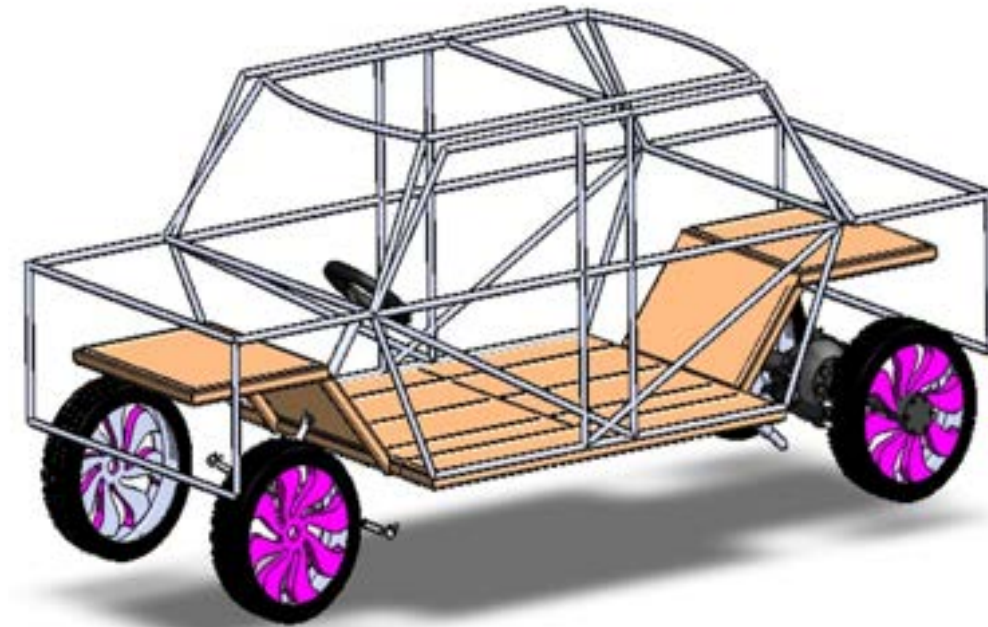
DESIGN SERVICE

OUR DESIGN SERVICES



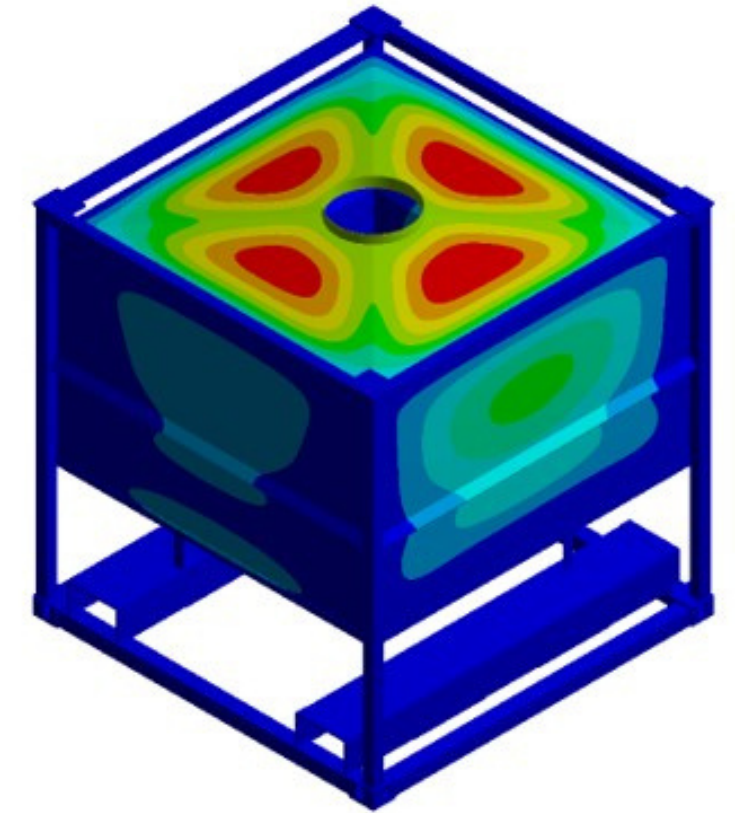
MEDICAL DEVICE

Heart–Lung Machine from concept to reality, encompassing design, engineering, prototyping, and validation



AUTOMOBILE

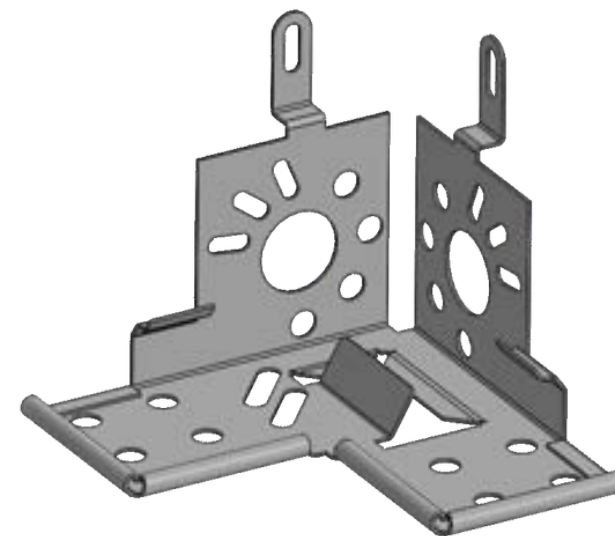
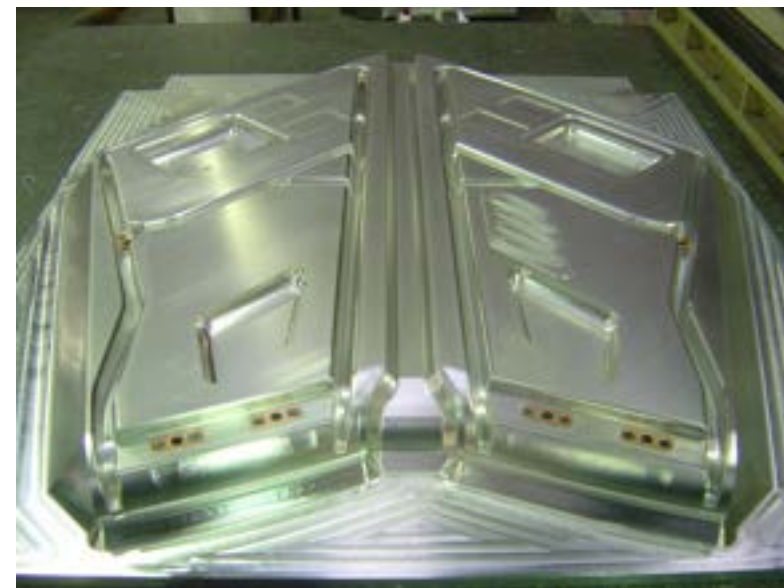
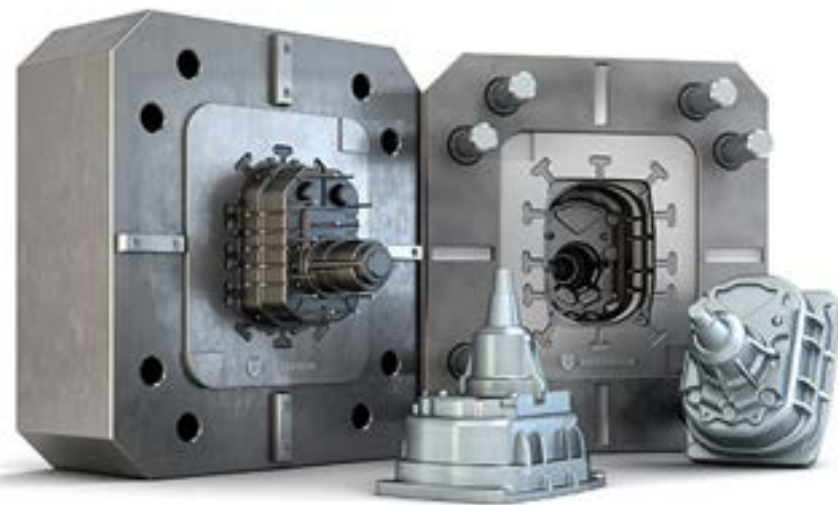
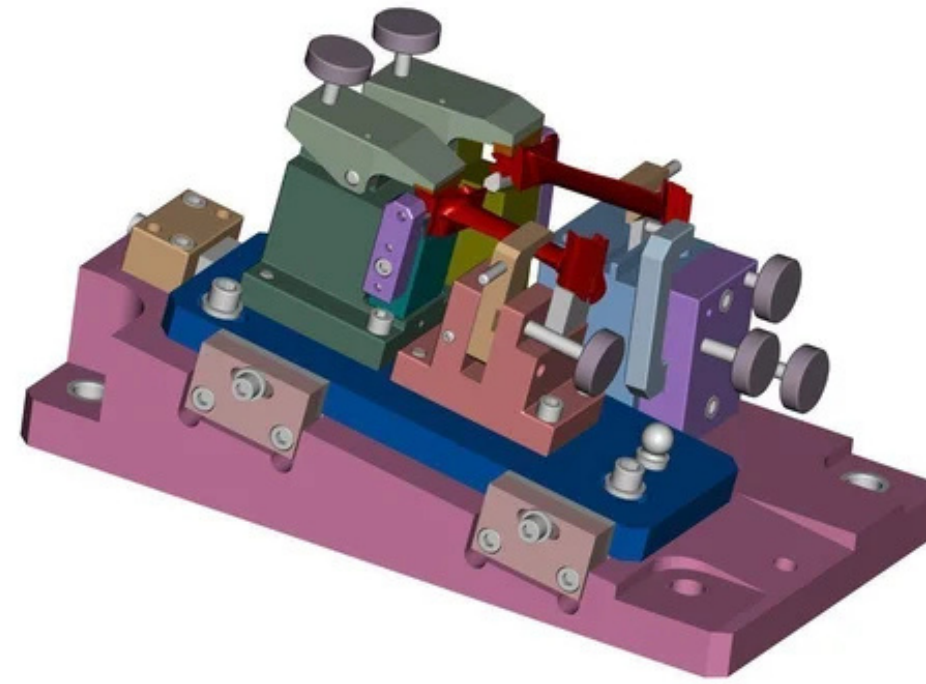
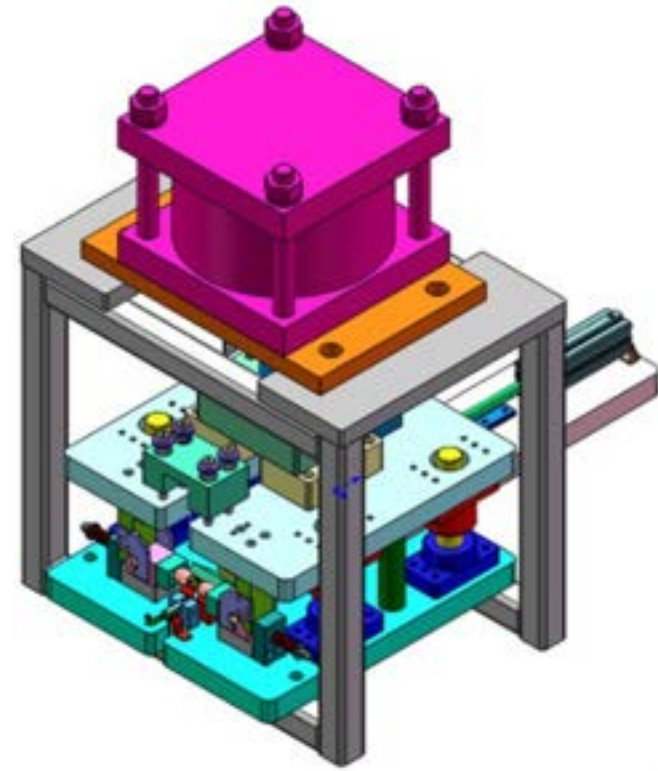
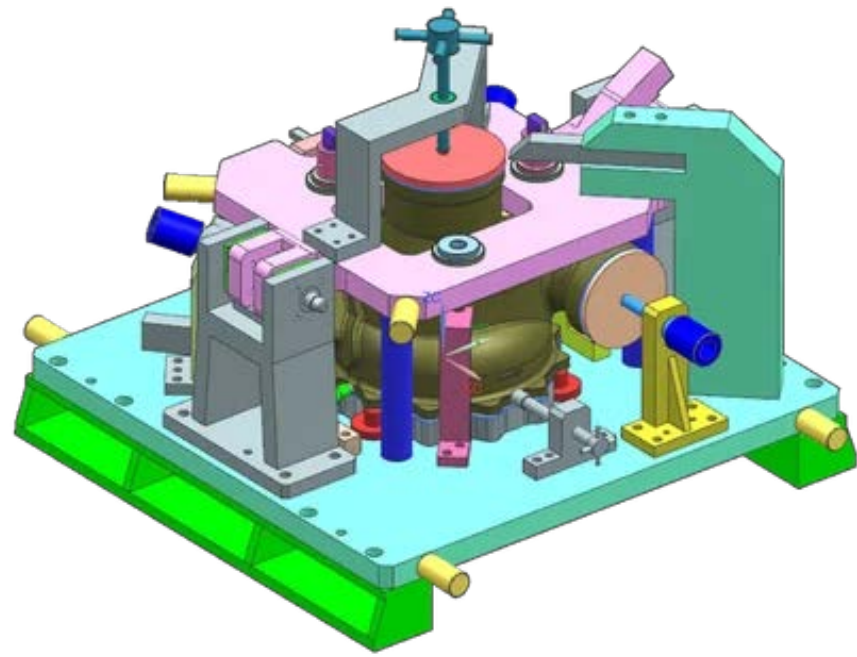
Our expertise enables rapid transformation of mobility concepts into practical, future-ready design solutions



INDUSTRIAL

Delivered complete structural design for a rice feeder system, supported by detailed strength and load simulations

OUR DESIGN SERVICES



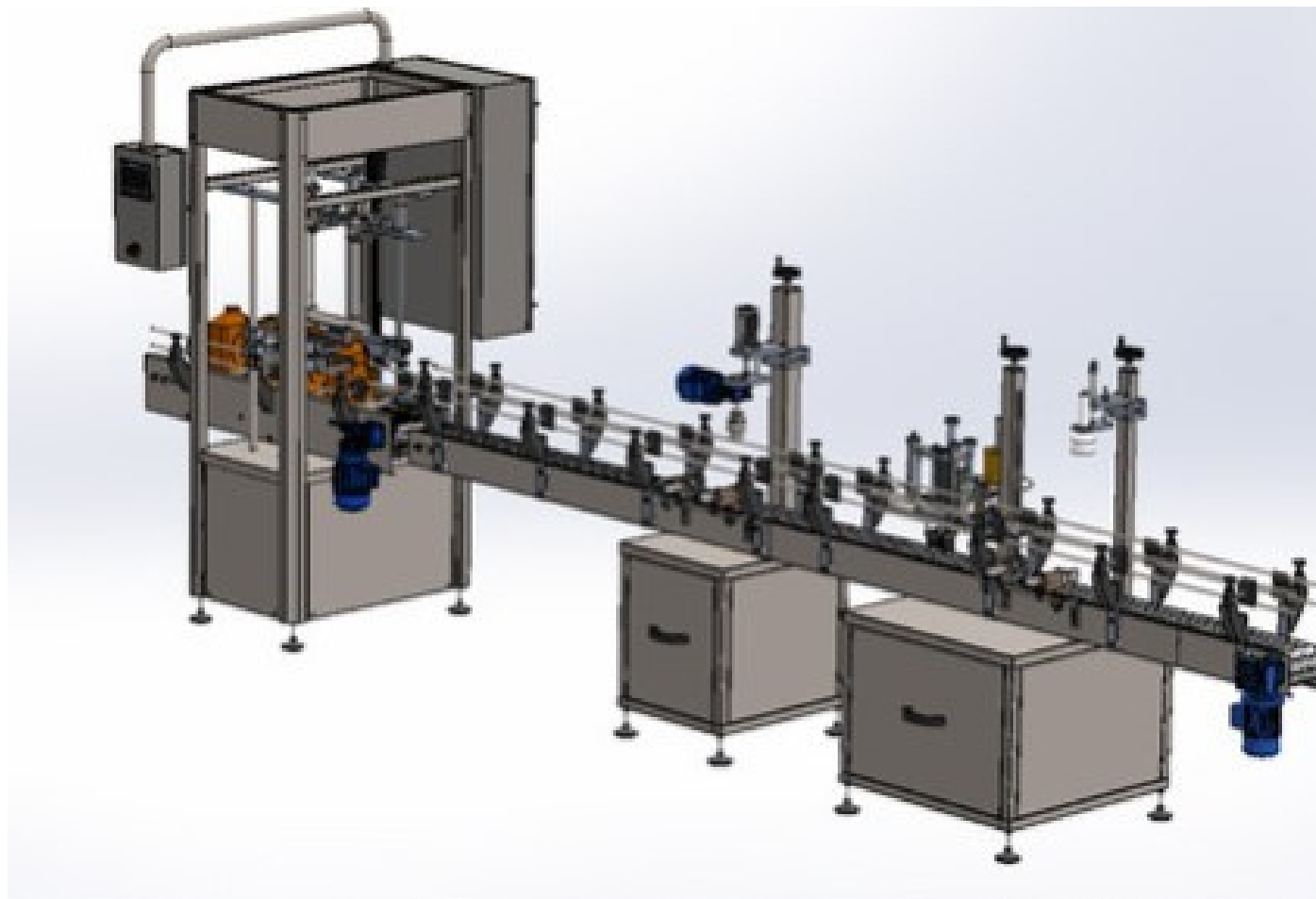
SPECIAL PUPOSE MACHINE



Project

Bottle Filling Machine

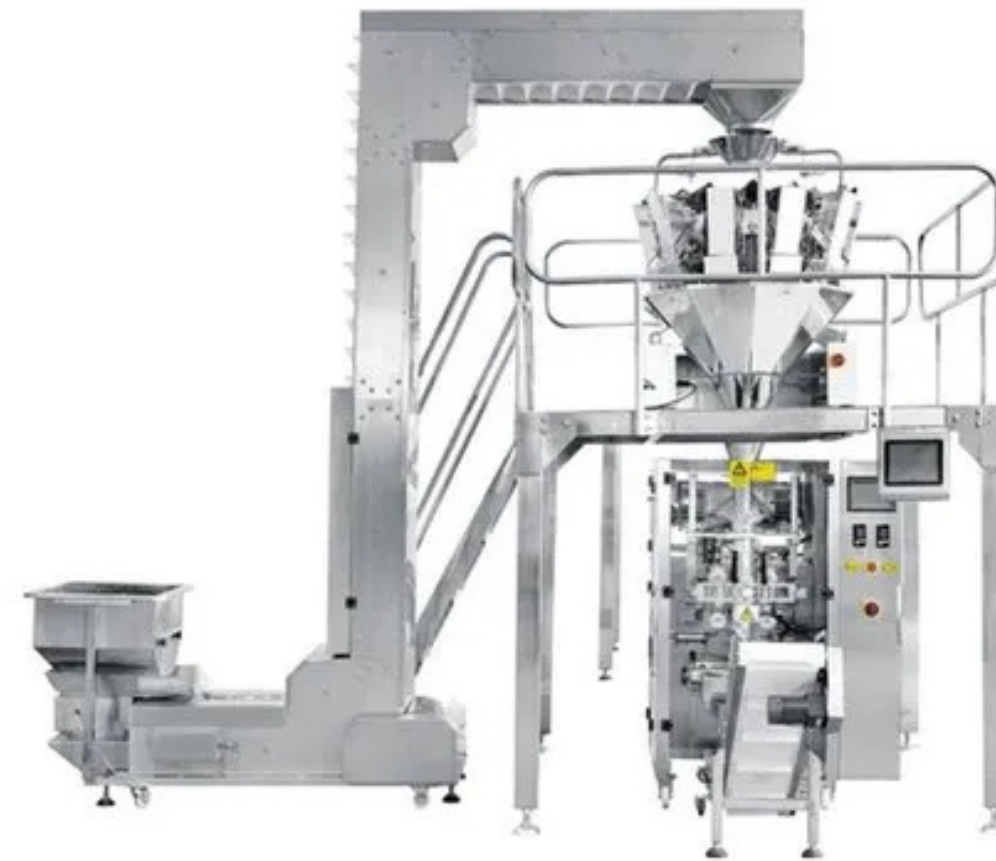
Our state-of-the-art bottle filling machine is designed to deliver precision, efficiency, and reliability for packaging bottle in various container types. Built with food-grade materials, it ensures hygiene compliance while offering seamless integration into production lines. Key features include automated filling, customizable volume settings, minimal spillage, and easy maintenance, making it ideal for small-scale to large-scale production.



Project

Pouch Packing Machine

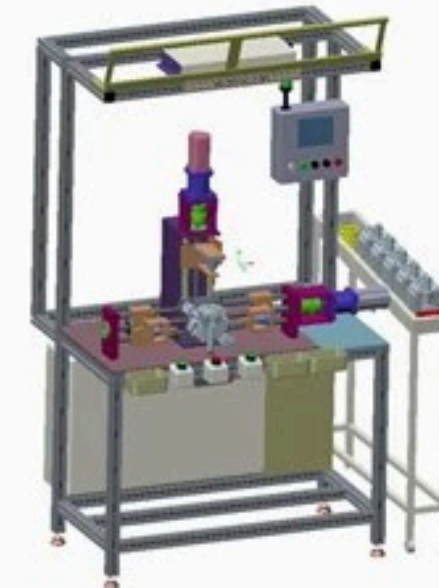
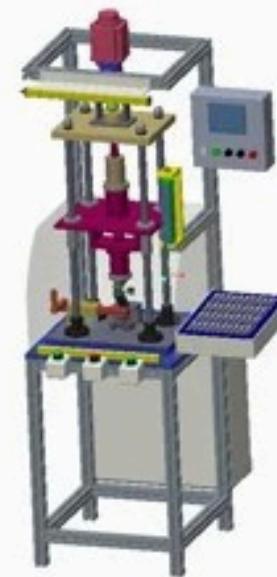
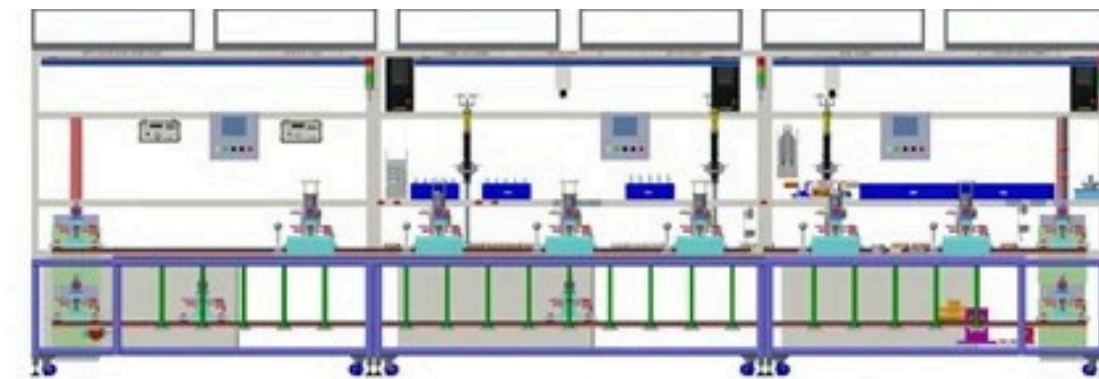
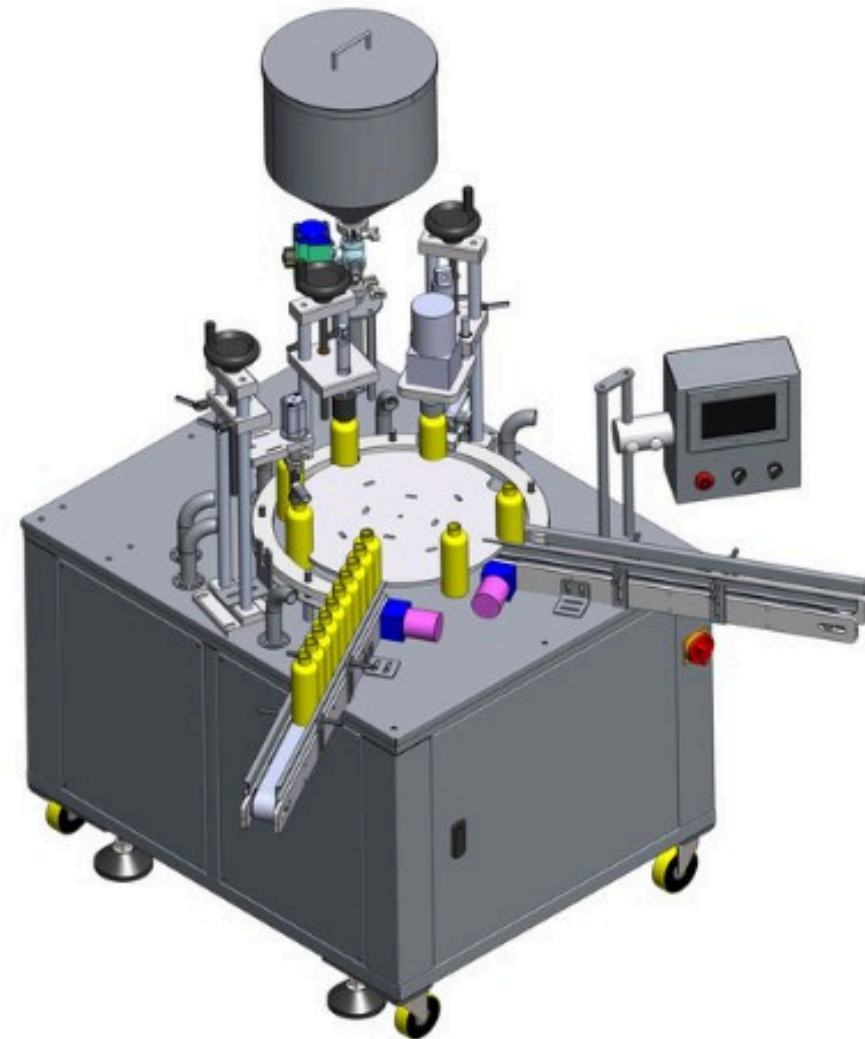
Our pouch packing machine combines advanced technology with robust design to provide efficient and versatile packaging solutions. It is ideal for packing powders, granules, liquids, or semi-solids into pouches of various sizes. Equipped with precision sealing, user-friendly controls, and high-speed operation, the machine ensures consistent performance, minimal wastage, and excellent product integrity. Suitable for diverse industries, it guarantees reliable packaging and easy maintenance.



Project

Capping & Vial Placing Machine

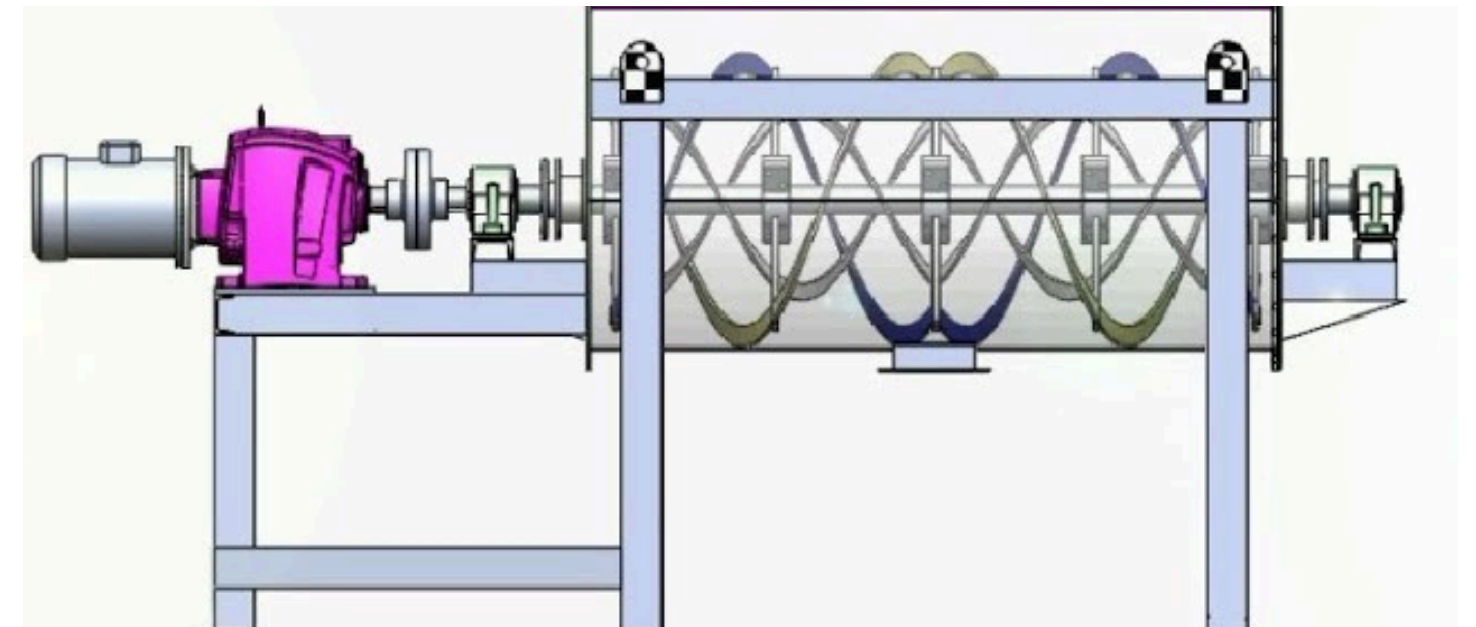
A capping and vial placing machine automates the process of placing caps and vials onto containers in industries like pharmaceuticals and beverages. The machine ensures precise placement, sealing, and secure closure, improving production speed, consistency, and reducing manual labor. It's essential for high-volume packaging operations.



Project

Product-Screw Feeder /Blender machine

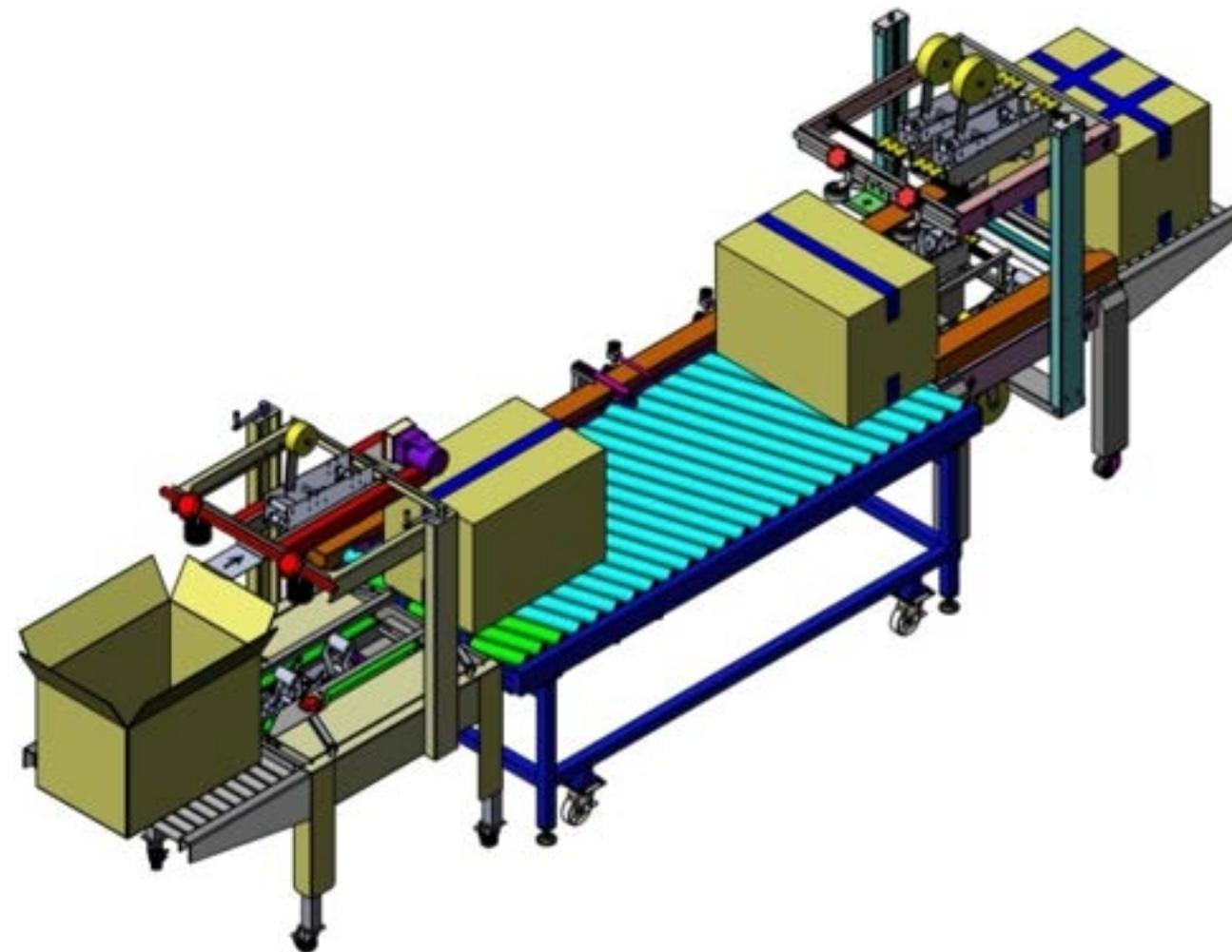
A screw feeder/blender machine is used for conveying and mixing dry materials, powders, or granules in various industries. The screw feeder delivers consistent material flow, while the blender ensures uniform mixing. These machines are essential for processes like food production, pharmaceuticals, and chemicals, improving efficiency and product consistency.



Project

Carton Box Packaging-Roller Conveyor

A carton box packaging roller conveyor is a system designed to efficiently transport carton boxes during packaging and distribution processes. It uses rollers to move boxes smoothly along a production line, enhancing speed, reducing manual handling, and improving workflow efficiency in industries like logistics, manufacturing, and warehousing.



OUR FABRICATION & PAINTING AREA



LIST OF MACHINERIES



Mig Welding-2 nos



Arc Welding-1 nos



Tig Welding-1 nos



Plasma Welding-1 nos



Compressor-1 nos



Rolling Machine

LIST OF MACHINERIES



AG4 Machine-1 nos



AG5 Machine-1 nos



Cut off machine 14inch - 1nos



Hand Drilling Machine-1 nos



Pillar Drilling-1nos

Contact Us

[Click below link To Explore Us](#)



www.logicdesign.com



[Logic Design Solutions](#)



[Logic Design](#)



[logicdesign.ld](#)

logicdesign.ld@gmail.com



[+91 - 7094239343](tel:+917094239343)



[+91 - 7639143077](tel:+917639143077)





THANK YOU